

**STARLIGHT** 

# 5MP Fixed IR Eyeball Camera

IPC5T



## Key Features

### Optics

- Day/night functionality
- Up to 120 DB WDR (Wide Dynamic Range)
- Smart IR, up to 30 m IR distance
- Low light

### Compression

- H.265, H.264, MJPEG, H.265 Ultra
- Embedded smart algorithm
- Triple streams
- 9:16 corridor format

### Network

- ONVIF Conformance

### Structure

- Wide temperature range: -35°C to 60°C
- Wide voltage range of  $\pm 25\%$
- 4 KV surge protection designed for network interface
- IP67

## Accessories



IPBTS

Eyeball Surface Box



IPBTW

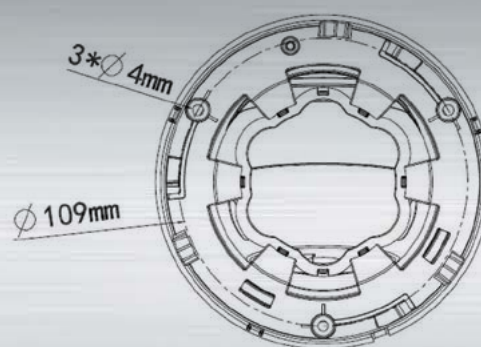
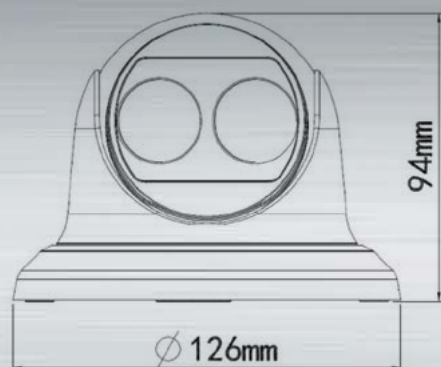
Eyeball Wall Mount bracket



IPBPM

Pole Mount Adapter

## Dimensions



Camera	
<b>IPC5T</b>	
Sensor	1/2.7", progressive scan, 5.0 megapixel, CMOS
Lens	2.8 mm @ F1.6
Angle of view(H)	105°
Adjustment Range	Pan: 0°~360° , Tilt: 0° ~ 77° , Rotation: 0° ~ 360°
Shutter	Auto/Manual, 1/6-1/100000 s
Min. Illumination	Colour: 0.005 Lux (F1.6, AGC On) 0 Lux with IR
IR	30m (98ft) IR range
Day/Night	IR-cut filter with auto switch (ICR)
WDR	120 dB
AWB(Auto white balance)	Auto/manual
Gain Control	Auto/manual
Noise Reduction	2D/3D
Audio	Mic built-in
Video	
Video Compression	H.265, H.264, MJPEG, H.265 Ultra
Frame Rate	5MP (2592×1944): Max. 20 fps; 4MP (2560×1440): Max.25 fps 3MP (2048×1520): Max.30 fps; 1080P (1920×1080): Max. 30 fps
Video Streaming	Triple
9:16 Corridor Mode	Supported
HLC	Supported
BLC	Supported
Evaluative Metering	Supported
OSD	Up to 8 OSDs
Motion Detection	Up to 4 areas
Privacy Mask	Up to 8 areas
Smart	
Behavior Detection	Intrusion, crossing line, motion detection
Intelligent Identification	Face detection, Defocus, Scene Change
Statistical Analysis	People counting
Network	
Protocols	L2TP, IPv4, IGMP, ICMP, ARP, TCP, UDP, DHCP, PPPoE, RTP, RTSP, RTCP, DNS, DDNS, NTP, FTP, UPnP, HTTP, HTTPS, SMTP, 802.1x
Compatible Integration	ONVIF, API
Interface	
Network	10M/100M Base-TX Ethernet
General	
Power	12 V DC, or PoE
	Power consumption: Max 5.5W
Dimensions (Ø x H)	126 x 94 mm
Weight	0.45 kg (0.99lb)
Operating Conditions	-35°C ~ +60°C, Humidity = 95% RH(non-condensing)
Ingress Protection	IP67