

5MP HD IR StarLight Fixed Turret Camera

IPC5T



Key Features

Optics

- 2.8 mm Lens @F1.6, 5MP (2592x1944) @20fps
- Ultra-high image quality in low light (0.005 Lux)
- Smart IR, up to 30 m IR distance
- 120 dB True WDR for clear images in strong light
- 2/3D DNR (Digital Noise Reduction)

Compression

- Ultra 265, H.265, H.264, MJPEG

Network

- ONVIF Conformance (Profiles S, G, T)

Structure

- Wide Temperature Range: -35°C to 60°C
- Wide Voltage Range of DC12 V ±25%, PoE Support
- IP67 Ingress Protection
- Built-in Mic

Smart

- Line Crossing, Motion/Enter Area
- OSD, Privacy Mask, ROI

Accessories



IPBTS

Eyeball Surface Box



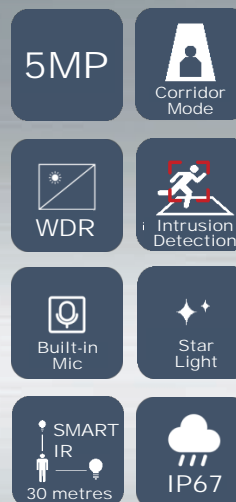
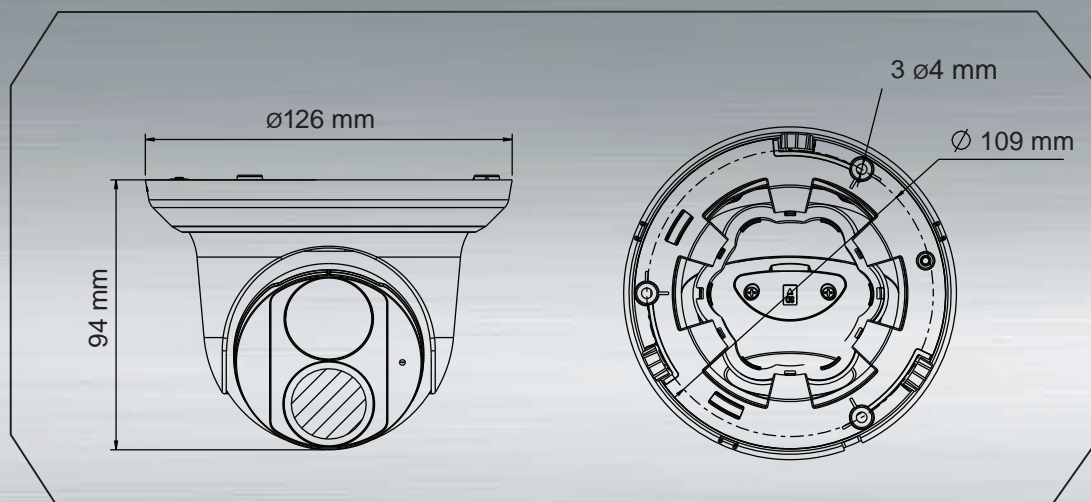
IPBTW

Eyeball Wall Mount Bracket



IPBPM

Pole Mount Adapter



Camera		IPC5T	
Sensor	1/2.7" 5MP Progressive Scan CMOS		
Lens	2.8 mm @ F1.6		
Angle of View	105°		
Adjustment Angle	0~360° Pan, 0~77° Tilt, 0~360° Rotate		
Shutter	Auto/Manual, 1~1/100000 s		
Minimum Illumination	Colour: 0.005 Lux (F1.6, AGC ON) 0 Lux with IR		
IR Range	Up to 30 m (98 ft) Smart IR		
Day/Night	IR Cut Filter with Auto Switch (ICR)		
WDR	120 dB		
Noise Reduction	2D/3D		
Video			
Video Compression	Ultra 265, H.265, H.264, MJPEG		
Frame Rate	5MP (2592x1944), Max 20fps; 4MP (2560x1440), Max 25fps; 3MP (2048x1520), Max 30fps; 1080P (1920x1080), Max 30fps		
9:16 Corridor Format	Supported		
OSD	Up to 4 OSDs		
Privacy Mask	Up to 4 Areas		
ROI	Up to 8 Areas		
Motion Detection	Up to 4 Areas		
Smart			
Behavior Detection	Line Crossing, Intrusion, Motion Detection		
Intelligent Identification	Face Detection, Defocus, Scene Change		
Statistical Analysis	People Counting		
Network			
Protocols	L2TP, IPv4, IGMP, ICMP, ARP, TCP, UDP, DHCP, RTP, RTSP, RTCP, DNS, DDNS, NTP, FTP, UPnP, HTTP, HTTPS, SMTP, 802.1x		
Compatible Integration	ONVIF (Profiles S, G, T), API		
Interface			
Built-in Mic	Supported		
Network	10M/100M Base-TX Ethernet		
General			
Power	DC 12 V ±25%, or PoE	Power Consumption: Max 5.5 W	
Dimensions (Ø x H)	126 x 94 mm		
Weight	0.45 Kg		
Working Environment	-35°C~60°C, Humidity ≤95% RH (Non-condensing)		
Ingress Protection	IP67		